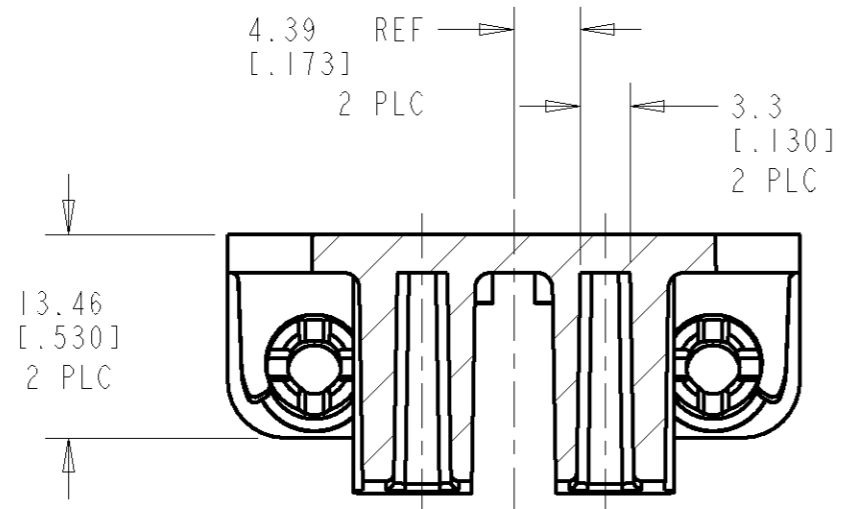
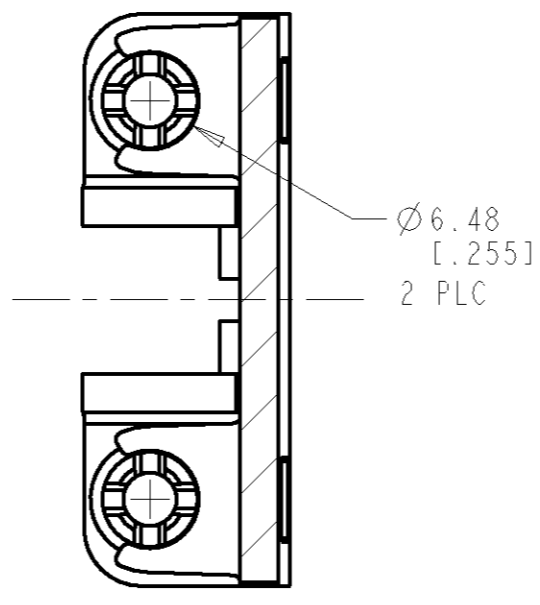


THIS DRAWING IS UNPUBLISHED. RELEASED FOR PUBLICATION .19
 © COPYRIGHT 19 BY AMP INCORPORATED. ALL RIGHTS RESERVED.

| LOC | DIST | REVISIONS | | | | | |
|-----|------|-----------|-----|-----------------------------|---------|-----|------|
| AD | 14 | P | LTR | DESCRIPTION | DATE | DWN | APVD |
| | | 0 | | RELEASED | 05MAY98 | AV | VR |
| | | A | | REVISED PER EC 0G51 0000 98 | 19MAY98 | AV | VR |

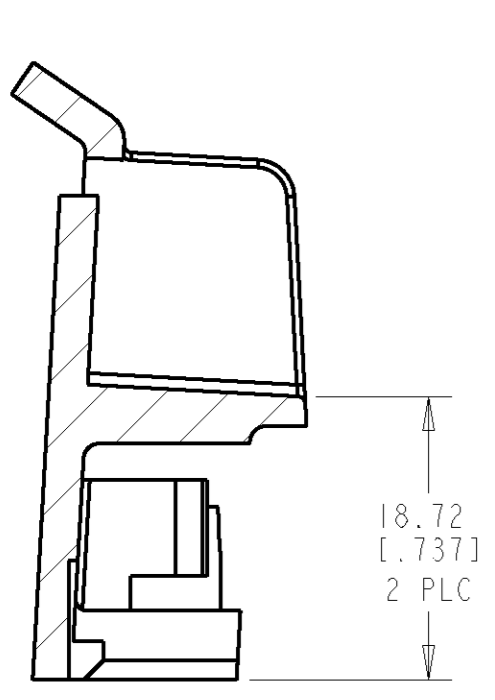


SECTION X-X

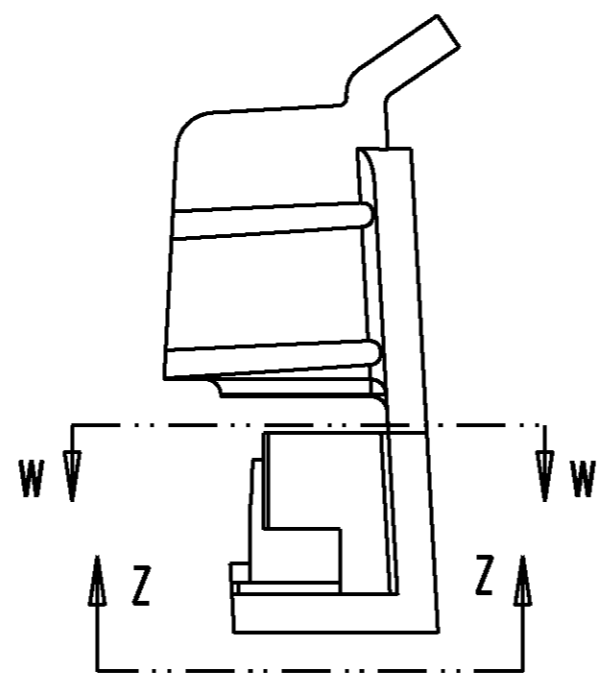
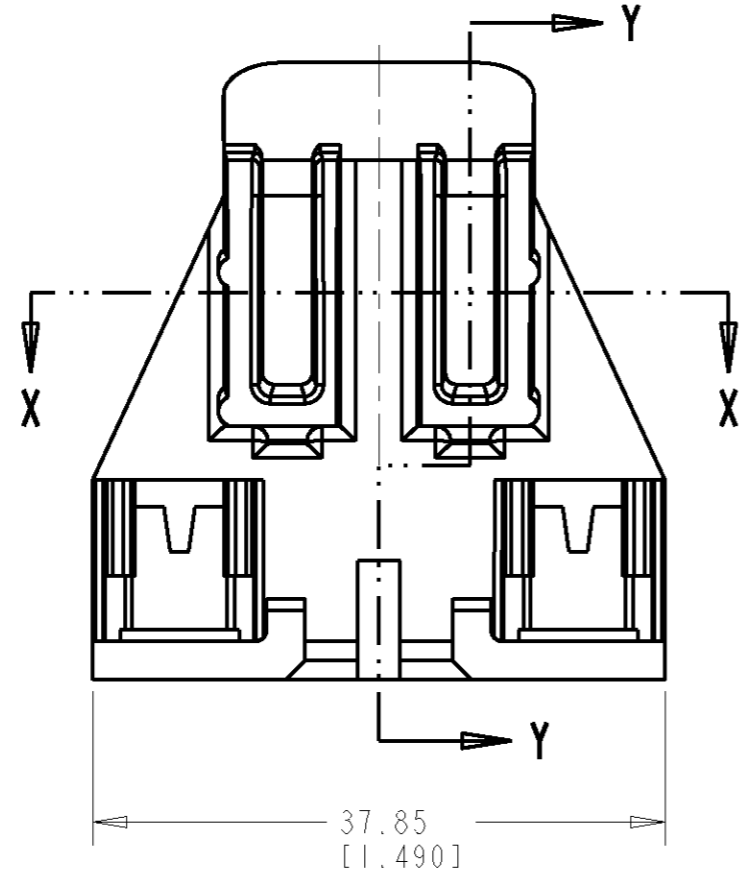


SECTION W-W

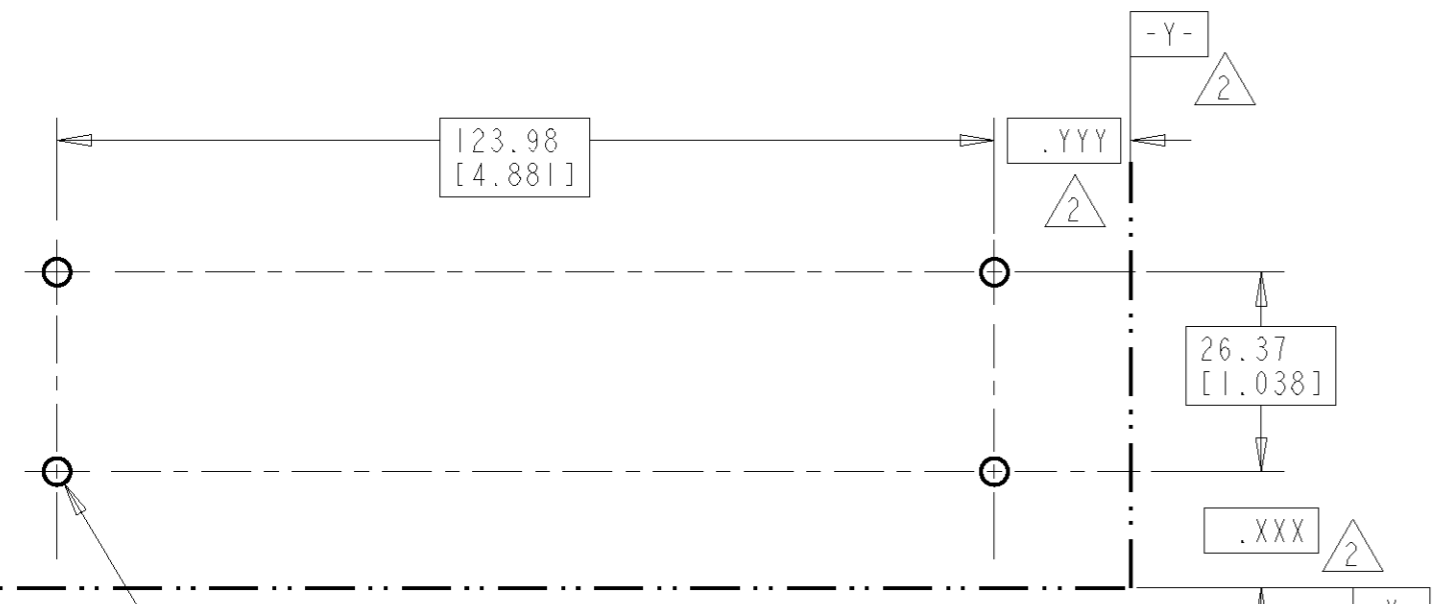
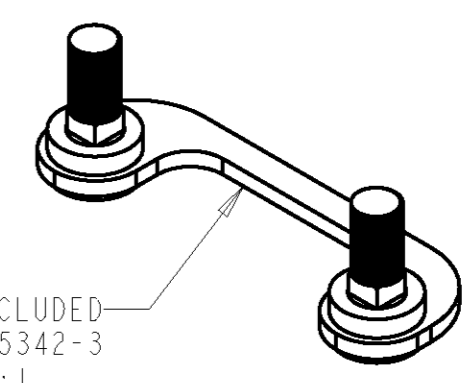
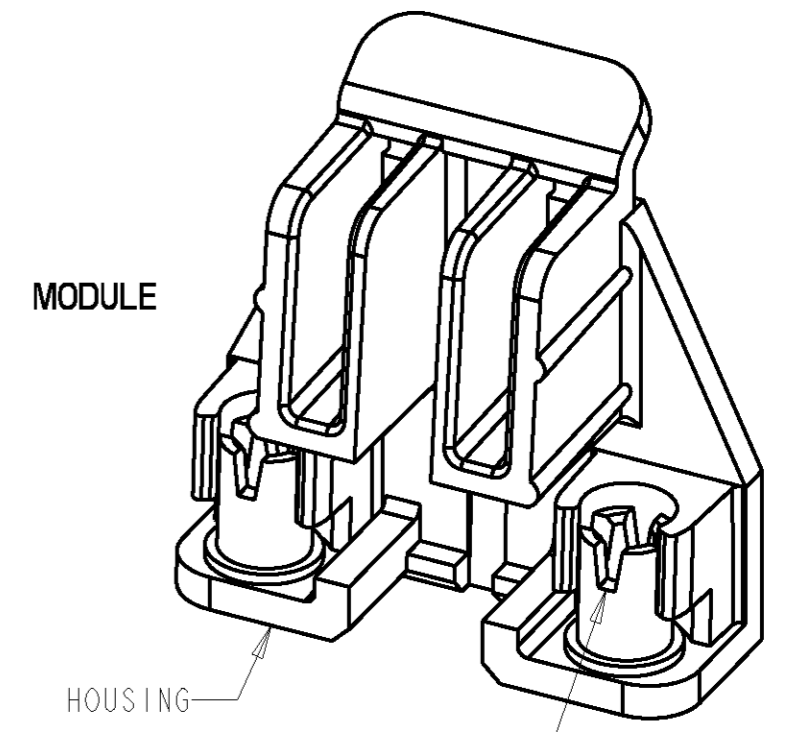
- 1 RETENTION MODULE: POLYCARBONATE, BLACK, UL 94-V0 RATED; SLOTTED CAPTIVE FASTENER: BRASS-COPPER ALLOY.
- 2 DATUM AND BASIC DIMENSION ESTABLISHED BY CUSTOMER.
- 3. BULK PACKAGED IN PARTITIONED BOXES.
- 4 KIT CONSISTS OF 2 MODULES, 2 MODULES ARE REQUIRED FOR ONE PROCESSOR.
- 5 CONSISTS OF ONLY ONE MODULE, 2 MODULES ARE REQUIRED FOR ONE PROCESSOR.



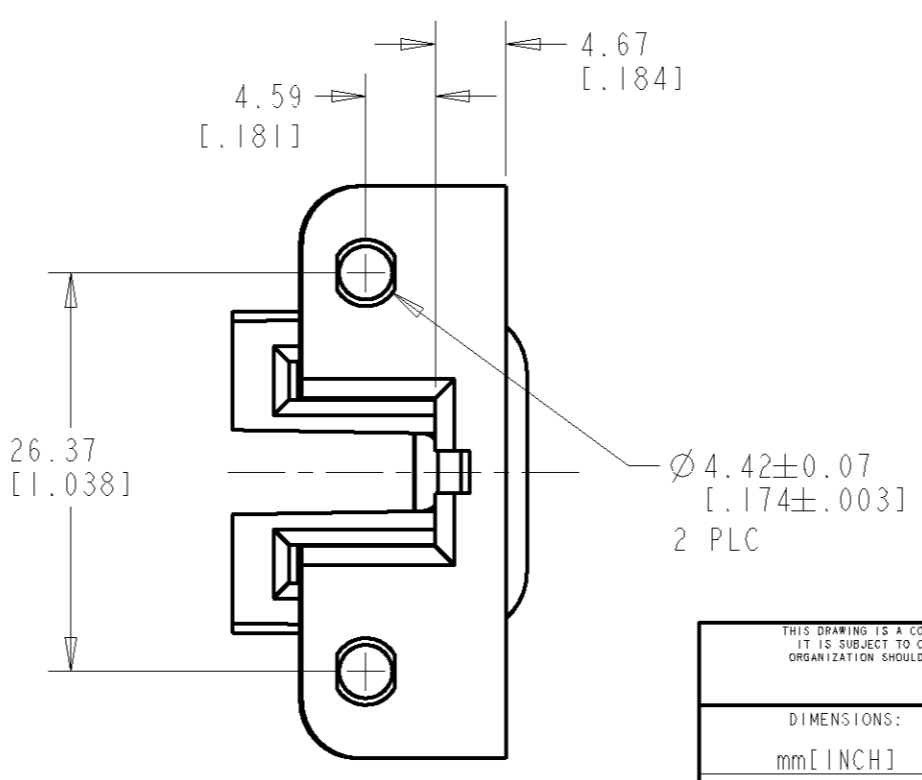
SECTION Y-Y



VIEW Z-Z



RECOMMENDED PC BOARD LAYOUT
 RECOMMENDED THICKNESS 1.57±0.15 [.062±.006]
 SCALE 1:1



| | | | | | | | |
|--------------------------|--|---|--|--|--|--|--|
| DIMENSIONS: mm [INCH] | | TOLERANCES UNLESS OTHERWISE SPECIFIED: 0 PLC ± 1 PLC ± 2 PLC ± 3 PLC ±0.13 [.005] 4 PLC ± ANGLES ±° FINISH | | DWN A. VASBINDER 05MAY98 CHK A. VASBINDER 05MAY98 APVD V. RUMINSKI PRODUCT SPEC APPLICATION SPEC WEIGHT | | NAME AMP AMP Incorporated Harrisburg, PA 17105-3608 | |
| MATERIAL: 1 | | CUSTOMER DRAWING | | SIZE A2 CAGE CODE 00779 DRAWING NO. C-145342 | | RESTRICTED TO SHEET 1 OF 1 REV A | |

| DESCRIPTION | PART NO |
|---|------------|
| 2 MODULES WITH FASTENERS AND 2 STUD BRIDGES | 4 145342-3 |
| 1 MODULE WITH FASTENERS | 5 145342-2 |
| 2 MODULES WITH FASTENERS | 4 145342-1 |